



福建长江工业有限公司
FU JIAN CHANG JIANG INDUSTRIAL CO., LTD.

滚筒清沙机

Drum sand cleaning machine

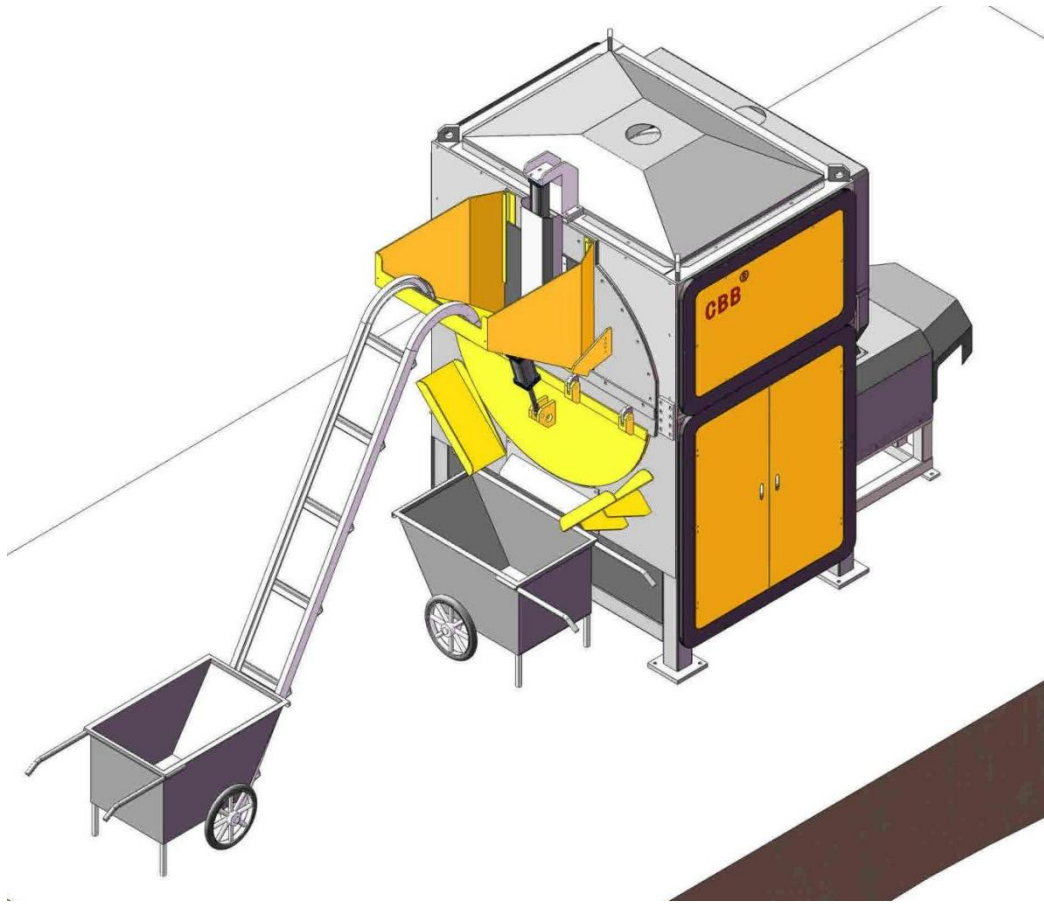
CJPQ150

设计方案

Design plan

福建长江工业有限公司
FuJianChangJiangIndustrialCo.,Ltd

CBB[®] 中国领先的机器人解决方案制造商



一、设备构成 Equipment composition

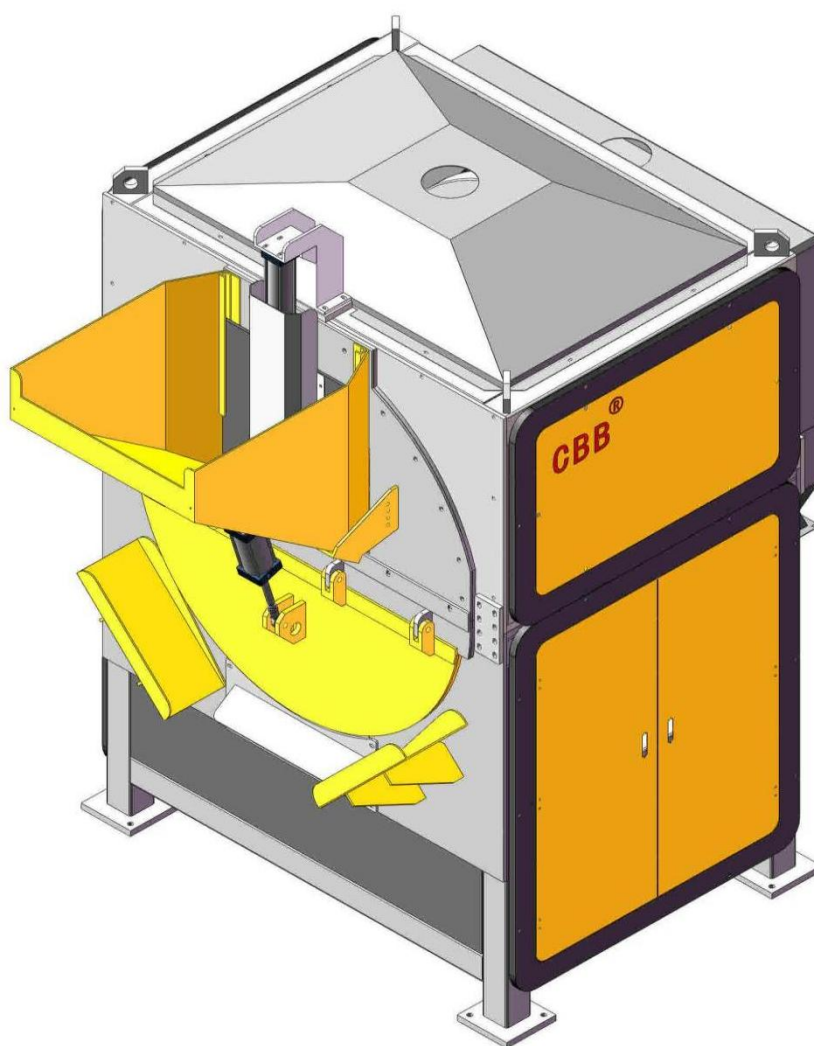
本设备主要由料车提升机、清砂滚筒、震动筛、输送皮带组成。将铸件放入物料车提升倒料至清砂滚筒内，关闭闸门。滚筒内设置有螺旋叶片，使铸件在筒内可以充分翻滚碰撞，根据产品不同，翻滚约 7-10 分钟后，细砂和金属碎片被排出至震动筛上，并经过震动筛分，细砂落在输送皮上输出，金属碎片回收完成。滚筒逆转，打开舱门排出铸件完成清砂。

The equipment is mainly composed of material truck hoister, sand cleaning drum, vibration sieve and conveyor belt. Place the casting into the material truck to the sand cleaning drum, close sluice gate. The screw blade is provided in the roller, so that the

casting in the cylinder can be fully rolled collision, depending on different products, after about 7-10 minutes tumbling, fine sand and metal fragments are discharged into the vibration sieve, and go through the vibration screen, the fine sand falls on the delivery skin for output, metal debris recovery is completed. The roller reversal, open the hatch to discharge the casting to clear the sand.

1.1 滚筒清砂机

drum sand cleaning machine



滚筒清砂机由钢板、型材焊接而成，内部均布有螺旋叶片，配有自动闸门和自动舱门，进出料控制方便。滚筒外部设计全封闭钣金密封，并有消音及除尘管道连接设计，环保。

The drum sand cleaning machine is made of steel plate and sectional material, The interior is covered with screw blades, equipped with automatic gate and automatic hatch, convenient feeding and outlet control. The roller external design fully enclosed sheet metal seal, and have silencing and dust removal pipe connection design, environmental protection.

1.2 加料提升机

Add material hoister

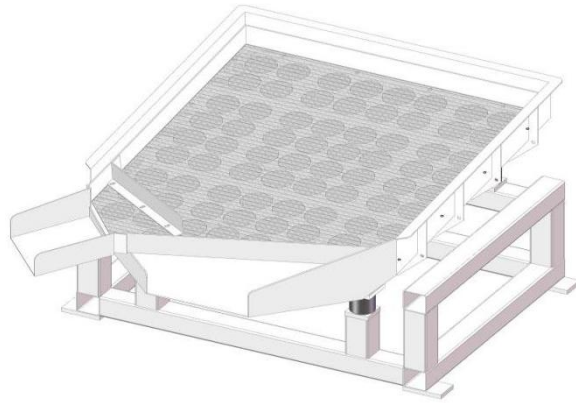


采用免挖坑挂车式提升机加料方式，物料车直接挂置在提升机上，手动控制，物料车上升自动翻转倒料，可避免物料中转的二次扬尘，操作方便，运行安全平稳。

Adopt the pit-free hanging car type hoister feeding mode, the material car is directly mounted on the elevator hoister, hand control, the material vehicle rises automatically turning over, can avoid the secondary dust of material transfer, easy to operate, runs safely and smoothly.

1.3 震动筛

Vibration sieve



震动筛框双层分隔，配优质橡胶弹簧和震动电机，筛分顺畅充分。

The frame of vibration sieve is double layer separation,with high-quality rubber spring and vibration motor,the screening is smooth and sufficient.

1.4 输送皮带

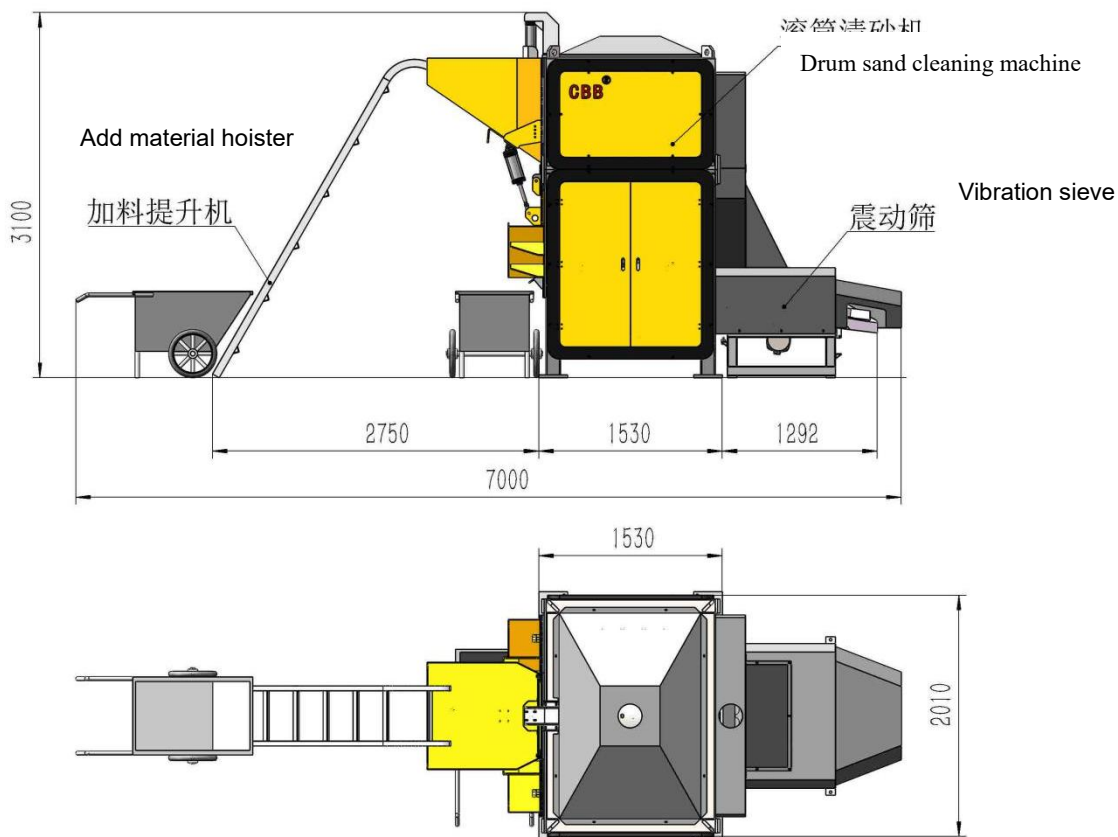
Conveyor belt

皮带输送机输送平稳，噪声小，方便移动升降，加厚钢材更耐用。输送皮带机为选配配置。

Belt conveyor delivery smoothly, low noise,easy to move up and down,intensification steel plate is more durable.The belt conveyor is optional configuration.



一、尺寸示意图 Schematic diagram of size



二、设备主要参数 Main parameters of equipment

序号 NO.	项目内容 Contents of a project		主要参数 Main parameter	备注 Comments on a form
1	滚筒 清 砂	滚筒内径 Drum inner diameter	1450mm	
		装料重量 (易翻滚件) Feeding material weight(easy to roll	约750kg About 750kg	

	机	parts)		
	Drum sand cleaning machine	翻滚转速 Rolling speed	5r/min	
		电机功率 Power of motor	7.5Kw	
		每次清理时间 (可调) Each cleaning time(adjustable)	3-15min (具体工件有所不同) The specific workpieces are different	
		加料方式 Feeding method	免挖坑挂车提升 The pit-free hanging car type hoist	
		卸料方式 Discharging method	滚筒反转 The roller reversal	
		除尘功率 Dust removal power	5.5kw	
2	加料提升机 Add material hoister	提升高度 Hoisting height	2.5m	

3	震动筛 Vibration sieve	震动电机功率 Vibration motor power	0.37kw 5000N	
4	皮带输送机 Belt conveyer	皮带宽度 Belt width	500mm	选配 Optional
		电机功率 Power of motor	1.5kw	
		带速 Transmission belt speed	0.5 米/秒 m/s	
5	外形尺寸 External dimensions		7000*2070*3100	

三、设备主要参数 Main parameters of equipment

序号 NO.	主要配置 Main configuration	数量 Number	备注 Comments on a form
1	滚筒清砂机 Drum sand cleaning machine	1 套(Set)	
2	加料提升机 Add material hoister	1 套(Set)	
3	震动筛 Vibration sieve	1 套(Set)	
4	皮带输送机	1 套(Set)	选配 Optional



福建长江工业有限公司

FU JIAN CHANG JIANG INDUSTRIAL CO., LTD.

	Belt conveyer		
5	电控系统 Electric control system	1 套(Set)	